



PTFE LINED BUTTERFLY VALVE | CST



Stauverbrink 2
48308 Senden

Tel. +49 (0) 25 36 - 99 58-0
Fax: +49 (0) 25 36 - 99 58-29

sales@warex-valve.com

www.warex-valve.com

FEATURES	4
COMPONENTS	6
SPECIFICATIONS	7
DIMENSIONS WAFER	8
DIMENSIONS LUG	9
DIMENSIONS CST-K DUROPLAST	10
DIMENSIONS TOP FLANGE	11
FLOW RATE KV-VALUES	12
PRESSURE/TEMPERATURE DIAGRAM	13
TORQUES	14
ACTUATION HANDLEVER	15
ACTUATION MANUAL GEARBOX PREMIUM	16
ACTUATION MANUAL GEARBOX STANDARD	17
ACTUATION PNEUMATIC ACTUATOR	18
ORDER CODE	19

FEATURES



The **PTFE lined butterfly valve | CST** is the world leading, customisable valve, manufactured to the highest standards to provide secure handling of aggressive media.



Unparalleled Sealing & Security

- Safer handling of corrosive media thanks to the unique sealing system
- The adaptive pressure package guarantees supreme tightness and constant contact pressure throughout the operational lifetime
- Especially designed for operation with highly aggressive substances such as chlorine, hydrogen fluoride & sulphuric acid
- Technologically advanced sealing system, constantly perfected over decades of product development



Low Abrasion Design

- Spherical design reduces friction and increases operational lifespan
- Following the natural movement of the valve disc, the curved liner reduces wear and tear
- The rounded, polished edges of the disc minimise torque and allow the use of smaller, more economical actuators
- The one-piece valve disc, precisely machined to fractions of a millimetre, protects the shaft from warping
- Precisely manufactured backups provide maximum sealing over an increased operational lifespan



Modular & Distinctive

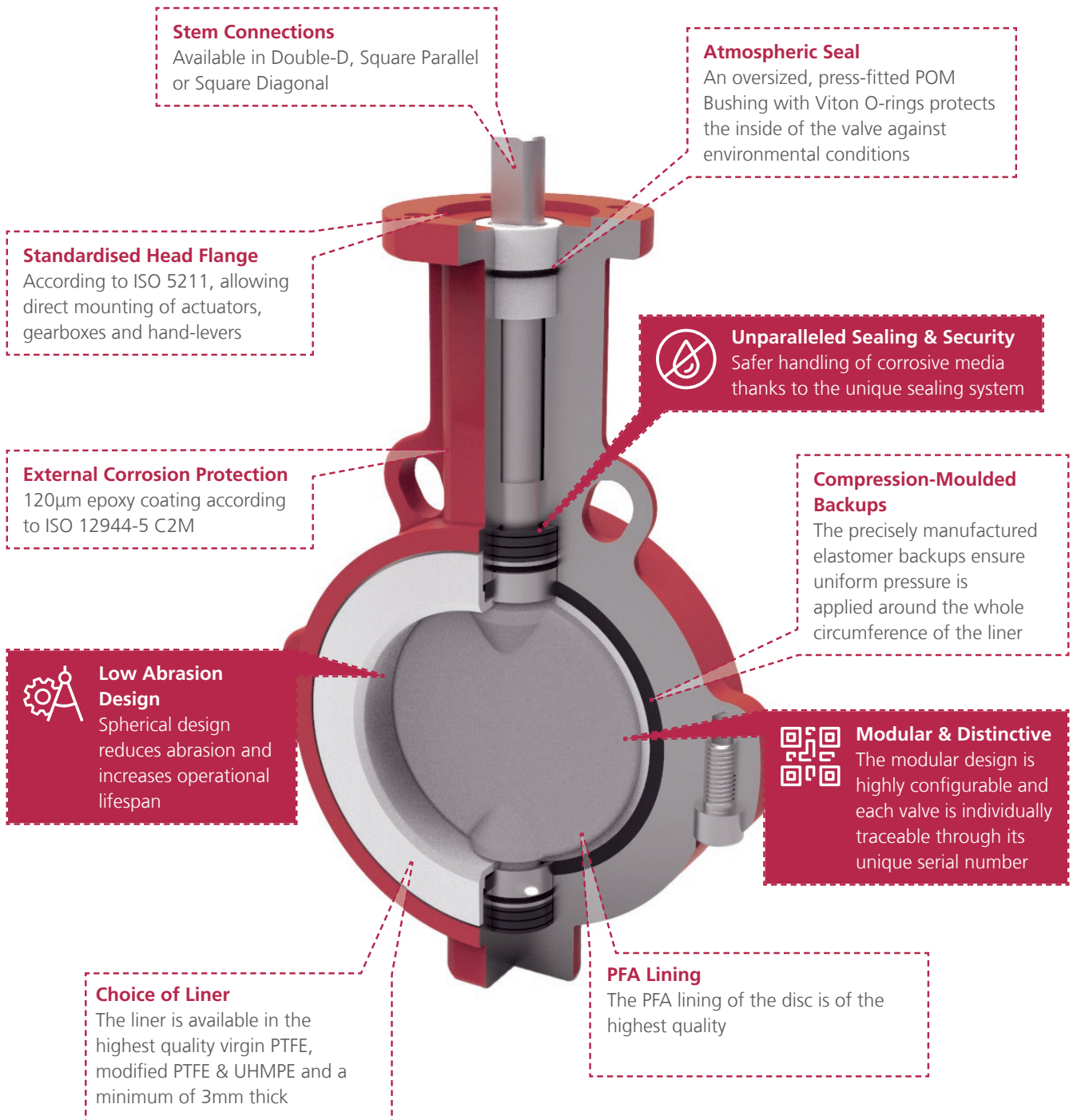
- The modular design is highly configurable and each valve is individually traceable through its unique serial number
- Adaptable to a multitude of requirements and applications thanks to its configurable, modular design
- Individual serial numbers allow complete traceability of all pressure-bearing parts



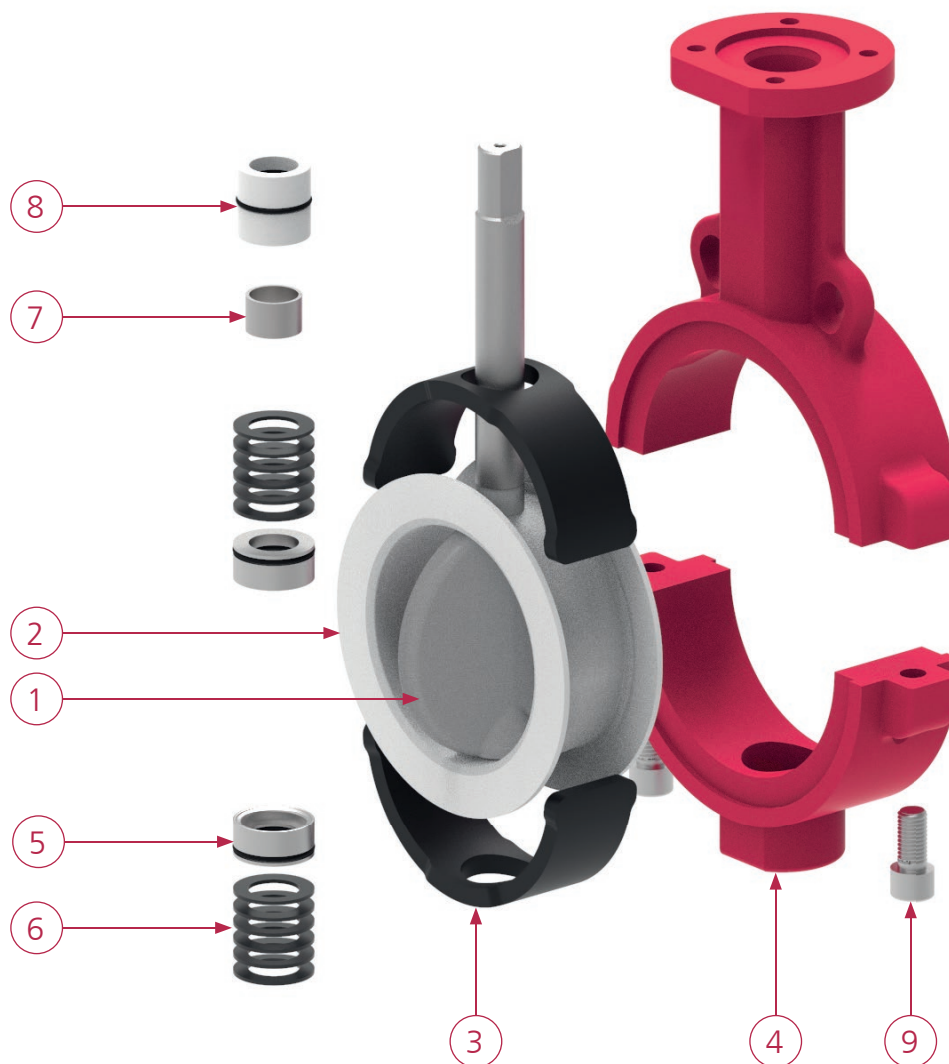
Additional features

- + Optional modified PTFE significantly improves durability when dealing with permeable media and high temperatures
- + Guaranteed compatibility with all established actuator systems through a range of shaft mounting options
- + Actuation devices, including hand levers, manual gear-boxes and motorised actuators, are available
- + 2-week standard delivery, driven by intelligent logistics and dedicated PTFE valve production facilities

FEATURES



COMPONENTS



Item #	Description	Materials
1	Disc	PFA PFAc, Conductive PFA Stainless Steel, 1.4404 Duplex, 1.4462, 1.4469 Titanium Grade 2, 3.7035 Hastelloy C, 2.4602, 2.4819
2	Liner	PTFE Modified PTFE Modified PTFE Conductive UHMPE
3	Backup	VMQ EPDM FKM

Item #	Description	Materials
4	Body	Ductile Iron, 5.3103 Stainless Steel, 1.4404 Carbon Steel, S355J2 Duroplast, VE-CF
5	Pusher	1.4301 with FKM O-Ring
6	Belleville Springs	Carbon Steel
7	Shaft Bushing	PTFE Stainless Steel
8	Top Bushing	POM with FKM O-ring
9	Body Bolts	12.9 A4

SPECIFICATIONS



Nominal Diameter

- DN 25–1200
- 1"–48"



Flange Connection

- EN 1092–1, PN 6–16
- ASME B16.5, Class 150
- JIS 10K



Top Flange

- ISO 5211



Maximum Working Pressure

- DN 25–450: 10 bar
- DN 500–600: 6 bar
- DN 700–1200: 3 bar
- DN25–150: Up to 16 bar possible



Operating Temperature

- -60° C to 200° C



Face-to-Face Length

- EN 558, Series 20



Conformity

- PED 2014/68/EU
- ATEX 2014/34/EU
- Food (EC) Nr. 1935/2004, FDA
- TA-Luft, ISO 15848-1

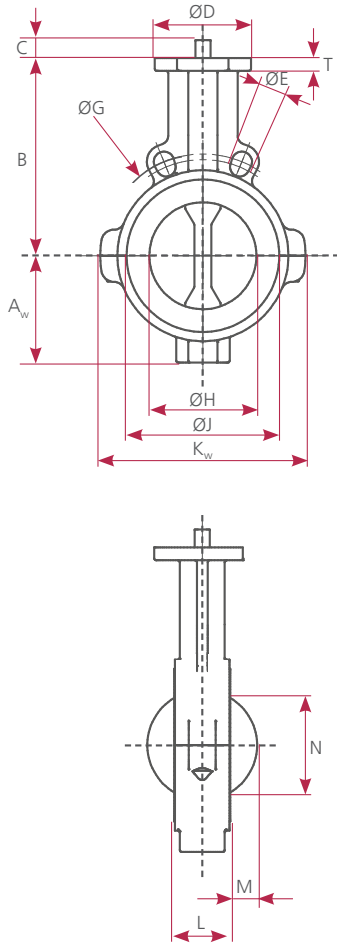


Pressure Test

- EN 12266-1



DIMENSIONS | WAFER



DN [mm]	25	40	50	65	80	100	125	150	200	250	300	350
DN [Inch]	1"	1½"	2"	2½"	3"	4"	5"	6"	8"	10"	12"	14"
A _w	53	53	60	70	84	100	110	130	158	194	225	255
B	94	94	130	146	165	185	202	217	245	270	308	330
C _{P2}	19	19	19	19	19	25	25	30	n/a	n/a	n/a	n/a
C* _{D4/P4}	17	17	17	17	17	17	17	22	26	30	30	28
ØD	65	65	90	90	90	90	90	90	125	125	125	150
T	10	10	12	12	12	12	12	12	16	16	16	16
ØE _{DIN}	4x14	4x18	4x18	4x18 8x18	8x18	8x18	8x18	8x22	8x22	12x22	12x22	16x22
ØE _{ANSI}	4x16	4x16	4x19	4x19	4x19	8x19	8x22	8x22	8x22	12x26	12x26	12x29
ØG _{DIN}	85	110	125	145	160	180	210	240	295	350	400	460
ØG _{ANSI}	79.4	98.4	120.7	139.7	152.4	190.5	215.9	241.3	298.4	362	431.8	476.3
ØH	37	46.4	50	62	75	100	125	141	195	244	295	335.6
ØJ	60	76	85	106	122	143	166	193	251	301	349	414
K _w	138	138	124	148	165	192	223	253	312	374	424	586
L	41*	33	43	46	46	52	56	56	60	68	78	92**
M	3	7	6	11	17	27	38	47	71	92	112	125
N	22	34	31	47	63	90	118	137	190	240	290	328
kg _{1.4404}	2.6	2.4	3	3.9	4.6	6.4	8.3	10.5	17	27	42	89
kg _{5.3103}	2.2	1.8	3	4.1	4.8	6.1	8.3	10.7	17.8	28	48	59

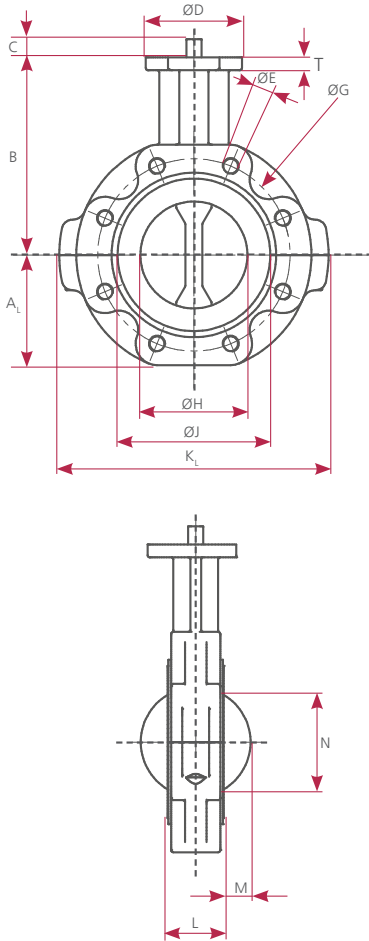
DN [mm]	400	450	500	600	700	750	800	900	1000	1050	1200
DN [Inch]	16"	18"	20"	24"	28"	30"	32"	36"	40"	42"	48"
A _L	290	314	342	401	577	603	637	684	732	757	905
B	365	400	435	510	582	608	637	684	732	757	905
C _{P2}	n/a	n/a	n/a	n/a	n/a	n/a	n/a	n/a	n/a	n/a	n/a
C* _{D4/P4}	28	37	37	47	47	56	56	56	56	56	56
ØD	150	175	175	210	210	300	300	300	300	300	300
T	18	20	20	20	35	35	35	35	35	35	35
ØE _{DIN}	16x26	20x26	20x26	20x30	24x30	-	24x33	28x33	28x36	-	32x39
ØE _{ANSI}	16x29	16x32	20x32	20x35	28x35	28x35	28x42	32x42	36x42	36x42	44x42
ØG _{DIN}	515	565	620	725	840	-	950	1050	1160	-	1380
ØG _{ANSI}	539.8	577.9	635	749.3	863.6	914.4	977.9	1085.8	1200.15	1257.3	1422.4
ØH	389.9	437.9	491.4	579.9	676.1	726	776.8	877.8	965.8	1016	1169.3
ØJ	460	515	570	672	787	851	894	1016	1101	1170	1305 _{DIN} 1345 _{ANSI}
K _L	650	700	745	870	1000	1050	1130	1245	1410	1410	1530 _{DIN} 1620 _{ANSI}
L	102	114	127	154	154**	154**	154**	154**	154**	154**	154**
M	146	164	184	215	264	289	314	364	408	433	508
N	378	424	477	561	665	717	768	868	957	1010	1160
kg _{1.4404}	115	152	177	284	434	486	626	725	951	985	1212
kg _{5.3103}	90	110	141	231	-	545	465	-	-	-	-

*D4: DN25–150 only

**Not according to ISO 5752 or EN 558-1, Series 20

Please note: For DN 25–40 & 350–1200, a lug-style body, drilled through, is used

DIMENSIONS | LUG



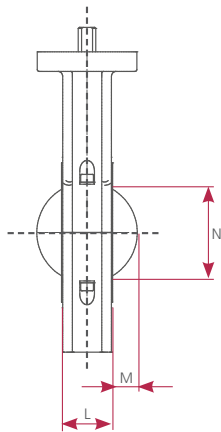
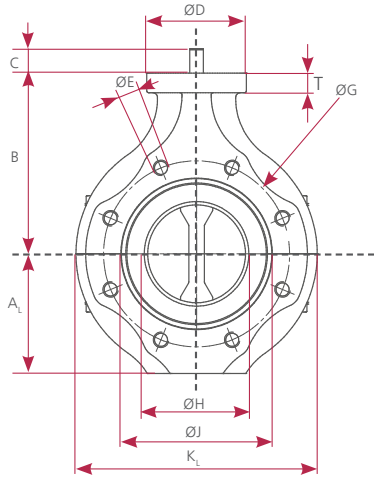
DN [mm]	25	40	50	65	80	100	125	150	200	250	300	350
DN [Inch]	1"	1½"	2"	2½"	3"	4"	5"	6"	8"	10"	12"	14"
A _L	53	53	60	81	88	103	117	128	160	194	228	255
B	94	94	130	146	165	185	202	217	245	270	308	330
C _{P2}	19	19	19	19	19	25	25	30	n/a	n/a	n/a	n/a
C* _{D4/P4}	17	17	17	17	17	17	17	22	26	30	30	28
ØD	65	65	90	90	90	90	90	90	125	125	125	150
T	10	10	12	12	12	12	12	12	16	16	16	16
ØE _{DIN}	4x M12	4x M16	4x M16	4xM16 8xM16	8x M16	8x M16	8x M16	8x M20	8x M20	12x M20	12x M20	16x M20
ØE _{ANSI}	4x1½"	4x1½"	4x5⁄8"	4x5⁄8"	4x5⁄8"	4x5⁄8"	8x¾"	8x¾"	8x¾"	12x7⁄8"	12x7⁄8"	12x1"
ØG _{DIN}	85	110	125	145	160	180	210	240	295	350	400	460
ØG _{ANSI}	79.4	98.4	120.7	139.7	152.4	190.5	215.9	241.3	298.4	362	431.8	476.3
ØH	37	46.4	50	62	75	100.1	124.8	141.5	195.2	244.3	295.3	335.6
ØJ	60	76	85	106	122	143	166	193	251	301	349	414
K _L	138	138	156	203	218	252	286	310	376	450	520	586
L	41*	33	43	46	46	52	56	56	60	68	78	92**
M	3	7	6	11	17	27	38	47	71	92	112	125
N	22	34	31	47	63	90	118	137	190	240	290	328
kg _{1.4404}	2.6	2.5	4	6.6	7.5	10.2	13.6	15.6	25.4	39	62	90
kg _{5.3103}	2	3.1	5.7	7.1	8.7	12.7	16.8	19	29.4	46	69	95

DN [mm]	400	450	500	600	700	750	800	900	1000	1050	1200
DN [Inch]	16"	18"	20"	24"	28"	30"	32"	36"	40"	42"	48"
A _L	290	314	342	401	577	603	637	684	732	757	905
B	365	400	435	510	582	608	637	684	732	757	905
C _{P2}	n/a	n/a	n/a	n/a	n/a	n/a	n/a	n/a	n/a	n/a	n/a
C* _{D4/P4}	28	37	37	47	47	56	56	56	56	56	56
ØD	150	175	175	210	210	300	300	300	300	300	300
T	18	20	20	20	35	35	35	35	35	35	35
ØE _{DIN}	16x M24	20x M24	20x M24	20x M27	24x M27	-	24x M30	28x M30	28x M33	-	32x M36
ØE _{ANSI}	16x 1"	16x 1⅝"	20x 1⅝"	20x 1¼"	28x 1¼"	28x 1¼"	28x 1½"	32x 1½"	36x 1½"	36x 1½"	44x 1½"
ØG _{DIN}	515	565	620	725	840	-	950	1050	1160	-	1380
ØG _{ANSI}	539.8	577.9	635	749.3	863.6	914.4	977.9	1085.8	1200.15	1257.3	1422.4
ØH	389.9	437.9	491.4	579.9	676.1	726	776.8	877.8	965.8	1016	1169.3
ØJ	460	515	570	672	787	851	894	1016	1101	1170	1305 _{DIN} 1345 _{ANSI}
K _L	650	700	745	870	1000	1050	1130	1245	1410	1410	1530 _{DIN} 1620 _{ANSI}
L	102	114	127	154	154**	154**	154**	154**	154**	154**	154**
M	146	164	184	215	264	289	314	364	408	433	508
N	378	424	477	561	665	717	768	868	957	1010	1160
kg _{1.4404}	118	157	182	290	442	494	634	793	946	992	1328
kg _{5.3103}	130	180	228	-	495	-	683	728	-	-	-

*D4: DN25–150 only

**Not according to ISO 5752 or EN 558-1, Series 20

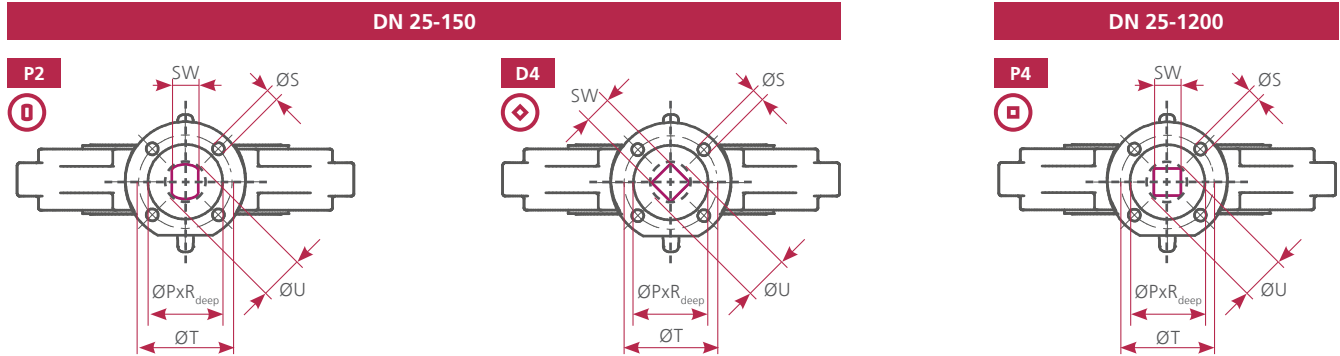
DIMENSIONS | CST-K DUROPLAST



DN [mm]	50	65	80	100	150	200	250	300
DN [inch]	2"	2½"	3"	4"	6"	8"	10"	12"
A_L	80	85	108	123.5	151	182	225	262
B	130	146	165	185	217	245	270	308
C_{P2}	19	19	19	25	30	n/a	n/a	n/a
C*_{D4/P4}	17	17	17	17	22	26	30	30
ØD	102	102	102	102	102	152	152	152
T	20	20	20	20	20	25	25	25
ØE_{DIN}	4x M16	-	8x M16	8x M16	8x M20	8x M20	12x M20	12x M20
ØE_{ANSI}	4x19	4x19	4x19	4x19	8x22	8x22	12x26	12x26
ØG_{DIN}	125	145	160	180	240	295	350	400
ØG_{ANSI}	120.7	139.7	152.4	190.5	241.3	298.4	362	431.8
ØH	60	60	80	100	150	199.5	249	300
ØJ	85	106	122	143	193	251	301	349
K_L	181	200	216	247	302	364	450	524
L	43	46	46	52	56	60	68	78
M	11	10	20	27	50	72	94	114
N	49	46	71	91	145	196	246	296
kg_L	1.8	2.1	2.5	3.6	6.8	10.8	19.4	31

*D4: DN50–150 only

DIMENSIONS | TOP FLANGE

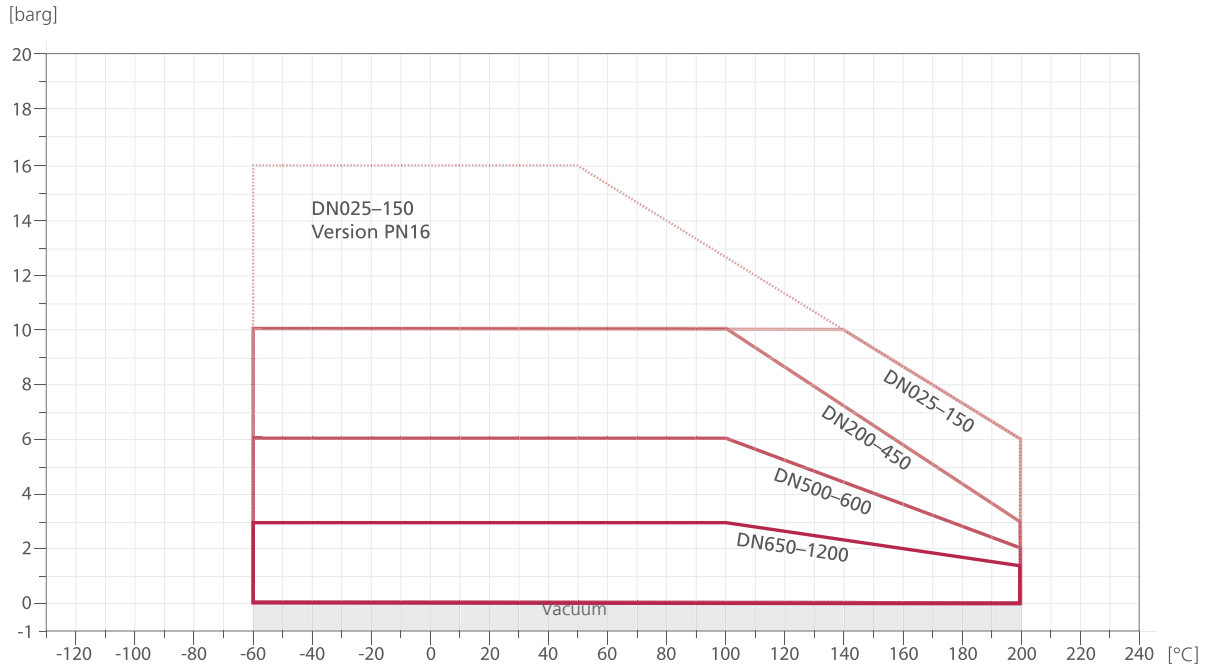






DN [mm]	25	40	50	65	80	100	125	150	200	250	300	350	400	450	500	600	700	750	800	900	1000	1050	1200
DN [inch]	1"	1½"	2"	2½"	3"	4"	5"	6"	8"	10"	12"	14"	16"	18"	20"	24"	28"	30"	32"	36"	40"	42"	48"
SW _{P2/D4}	9	9	11	11	11	14	14	17	n/a	n/a	n/a	n/a	n/a	n/a	n/a	n/a	n/a	n/a	n/a	n/a	n/a	n/a	n/a
SW _{P4}	9	9	11	11	11	14	14	17	19	22	22	27	27	36	36	46	46	55	55	55	55	55	55
ØU	13	13	14	14	14	18	18	22	24	28	28	35	35	47	47	58	60	72	72	72	72	72	72
ISO	F05	F05	F07	F07	F07	F07	F07	F07	F10	F10	F10	F12	F12	F14	F14	F16	F16	F16	F25	F25	F25	F25	F25
ØT	50	50	70	70	70	70	70	70	102	102	102	125	125	140	140	165	165	165	254	254	254	254	254
ØS	4x7	4x7	4x9	4x9	4x9	4x9	4x9	4x9	4x11	4x11	4x11	4x13	4x13	4x17	4x17	4x21	4x21	4x21	8x17	8x17	8x17	8x17	8x17
ØP x R _{DEEP}	36	36	56	56	56	56	56	56	71	71	71	87	87	102	102	132	132	132	202	202	202	202	202
	x	x	x	x	x	x	x	x	x	x	x	x	x	x	x	x	x	x	x	x	x	x	x
	3.5	3.5	3.5	3.5	3.5	3.5	3.5	3.5	3.5	3.5	3.5	3.5	3.5	4.5	4.5	5.5	5.5	5.5	5.5	5.5	5.5	5.5	5.5

Flow Rate/Kv-Value [m ³ /h]											
Opening Angle	DN [mm]										
	25	40	50	65	80	100	125	150	200	250	300
20°	0.001	1.4	2.1	4.4	8.1	17	28	39	85	119	181
30°	1.0	5.1	6.7	14	22	48	74	97	202	274	404
40°	3.0	11	14	27	41	91	145	194	415	527	771
50°	6.0	22	28	49	75	160	244	316	658	949	1329
60°	10	38	46	80	123	259	392	503	1036	1484	2179
70°	16	56	69	118	179	375	563	717	1463	2038	3083
80°	21	75	92	158	240	502	754	958	1956	2727	4124
90°	28	102	124	211	318	660	985	1244	2523	3514	5315

Flow Rate/Kv-Value [m ³ /h]												
Opening Angle	DN [mm]											
	350	400	450	500	600	700	750	800	900	1000	1050	1200
20°	277	393	528	647	843	1050	1181	1353	1861	2131	2398	3131
30°	602	856	1148	1434	1861	2347	2675	3064	4394	4827	5431	7092
40°	1139	1650	2173	2418	3473	4324	4864	5570	7621	8777	9874	12894
50°	2034	2893	3414	3980	5706	7104	7991	9207	11817	13792	15516	20262
60°	3335	4628	5742	6490	9427	11737	13203	15120	19791	23195	26095	34077
70°	4718	6711	8535	10268	14140	17606	19804	22282	30783	34480	38790	50655
80°	6312	8979	12043	14983	19349	24246	27274	31433	44252	50152	56422	73680
90°	8134	11571	15519	19308	24807	30887	34744	39789	55653	62690	70528	92100

PRESSURE/TEMPERATURE DIAGRAM



 Disc	P PFA	DN250-900	PFA P
	C PFAc	DN250-900	PFAc C
	S Stainless Steel	1.4404/1.4469	Stainless Steel S
	J Stainless Steel Polished	1.4404/1.4462	Polished Stainless Steel J
	F Stainless Steel Polished	1.4462/1.4462	Polished Stainless Steel T
	G Stainless Steel E-polished	1.4404/1.4462	E-polished Stainless Steel G
	T Titanium	3.7035	Titanium T
	H Hastelloy	2.4602/2.4819	Hastelloy H
 Liner	P PTFE		PTFE P
	T mPTFE		mPTFE T
	C mPTFEc		mPTFEc C
	U UHMPE	UHMPE U	
 Backup	S VMQ (Silicone)		(Silicone) VMQ S
	V FKM (Viton)		(Viton) FKM V
	E EPDM	EPDM E	
	F FKM - Steam & FDA		Steam & FDA - FKM F
	L VMQ (Silicone) Low Temperature		Low Temperature (Silicone) VMQ L
 Body	G Ductile Iron	5.3103 - EN-GJS-400-18-LT	Ductile Iron G
	S Stainless Steel	1.4404	Stainless Steel S
	M Stainless Steel Polished	1.4301	Polished Stainless Steel M
	E Stainless Steel E-polished	1.4401	E-polished Stainless Steel E
	N Stainless Steel	1.4301	Stainless Steel N
	C C-Steel	S355J2	C-Steel C

TORQUES

DN [mm]	Breakaway Torque [Nm]
25	22
40	22
50	26
65	36
80	46
100	60
125	80
150	110
200	167
250	278
300	333
350	450
400	500
450	600
500	650
600	890
700	1 500
750	2 000
800	2 300
900	2 700
1000	3 400
1050	3 600
1200	4 800

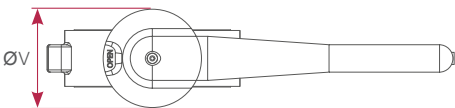
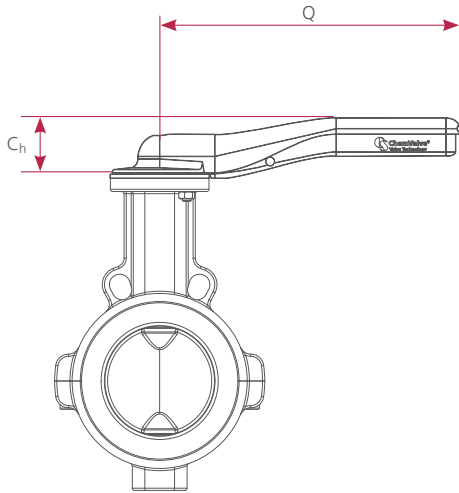
Max. Allowable Torque for Stem Connection [Nm]						
DN [mm]	P2			D4*/P4		
	Steel 1.4469/1.4462	Titanium Grd.2 3.7035	Hastelloy C 2.4602/2.4819	Steel 1.4469/1.4462	Titanium Grd.2 3.7035	Hastelloy C 2.4602/2.4819
25	112	74	73	48	32	31
40	112	74	73	48	32	31
50	159	105	103	89	59	57
65	159	105	103	89	59	57
80	159	105	103	89	59	57
100	335	222	216	183	121	118
125	335	222	216	183	121	118
150	608	402	393	327	216	211
200	-	-	-	456	302	295
250	-	-	-	664	469	457
300	-	-	-	664	469	457
350	-	-	-	1 227	866	845
400	-	-	-	1 227	866	845
450	-	-	-	2 909	2 053	2 004
500	-	-	-	2 909	2 053	2 004
600	-	-	-	6 069	4 283	4 181
700	-	-	-	6 069	4 283	4 181
750	-	-	-	10 374	7 321	7 147
800	-	-	-	10 374	7 321	7 147
900	-	-	-	10 374	7 321	7 147
1000	-	-	-	10 374	7 321	7 147
1050	-	-	-	10 374	7 321	7 147
1200	-	-	-	10 374	7 321	7 147

*D4: DN25–150 only



Breakaway torques calculated with 10% safety factor. These values have to be multiplied by 1.2 ($\Delta p \leq 0.5 \times PS$) or 1.4 ($\Delta p > 0.5 \times PS$) for dry and unlubricated service.

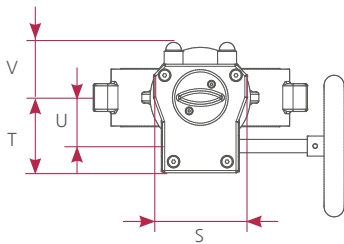
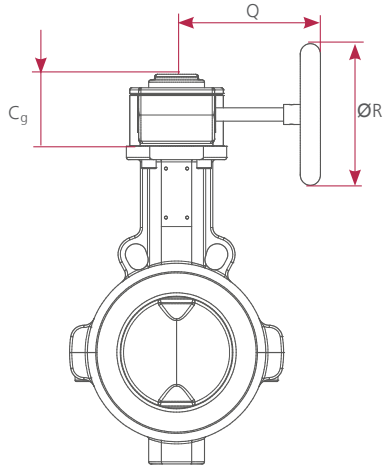
ACTUATION | HANDLEVER



Handlever	
Part	Material
Grip	Stainless Steel
Ratchet Disc	Stainless Steel

DN [mm]	40	50	65	80	100	125	150	200	250	300
DN [inch]	1½"	2"	2½"	3"	4"	5"	6"	8"	10"	12"
C _h	46	55	55	55	55	55	55	55	55	55
Q	232.5	272.5	272.5	272.5	272.5	272.5	272.5	350	350	350
V	65	90	90	90	90	90	90	125	125	125
kg	1	1.5	1.5	1.5	1.5	1.5	1.5	2.7	2.7	2.7

ACTUATION | MANUAL GEARBOX | PREMIUM

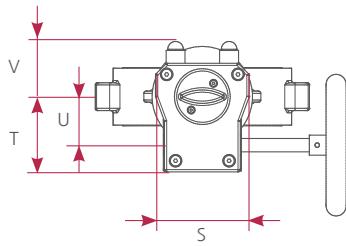
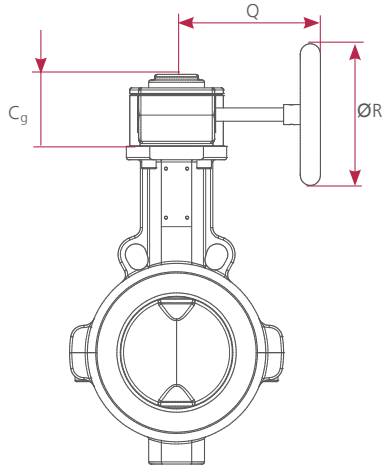


Configuration	
Valve Size	DN025–1200
Protection Rating	IP68
Stem Connection	P2/P4/D4

Materials	
Gearcase and Cover	Cast Iron
Quadrant	Ductile Iron
Worm	Carbon Steel
Input Shaft	Stainless Steel
Seals	Nitrile Rubber
Fasteners	Stainless Steel
Indicator	Powder-coated metal with O-ring
Handwheel DN025–300	Cast Iron
Handwheel DN350–1000	Carbon Steel

DN [mm]	25	40	50	65	80	100	125	150	200	250	300	350	400	450	500	600	700	750	800	900	1000	1050	1200	
DN [inch]	1"	1½"	2"	2½"	3"	4"	5"	6"	8"	10"	12"	14"	16"	18"	20"	24"	28"	30"	32"	36"	40"	42"	48"	
C _g	54.2	54.2	54.2	54.2	54.2	54.2	54.2	63	63	63	63	88	88	88	88	92.5	92.5	102	121	121	121	121	153	
Q	115.5	115.5	115.5	115.5	115.5	115.5	115.5	175	175	186	186	297	297	297	297	385	385	426	468	468	468	468	468	468
ØR	100	100	100	100	100	100	100	100	125	200	200	400	400	400	400	600	600	700	600	600	600	600	600	600
S	80	80	80	80	80	80	80	102	102	102	102	135	135	135	135	200	200	220	285	285	285	285	293	
T	66	66	66	66	66	66	66	79.5	79.5	79.5	79.5	105	105	105	105	126	126	148	151	151	151	151	195	
U	42.5	42.5	42.5	42.5	42.5	42.5	42.5	52	52	52	52	71	71	71	71	86	86	104.5	53	53	53	53	140	
V	58	58	58	58	58	58	58	48	48	48	48	69	69	69	69	100	100	110	142	142	142	142	142	
kg	2.3	2.3	2.3	2.3	2.3	2.3	2.3	4.5	4.5	4.5	4.5	10	10	10	10	15.2	15.2	23.5	28.2	28.2	28.2	28.2	50.2	

ACTUATION | MANUAL GEARBOX | STANDARD

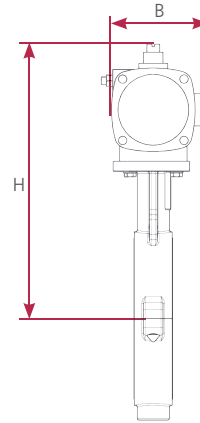
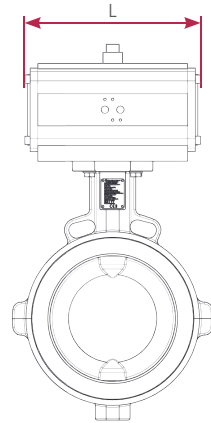


Configuration	
Valve Size	DN025-700
Protection Rating	IP67
Stem Connection	P4

Materials	
Gearcase and Cover	Cast Iron
Quadrant	Ductile Iron
Worm	Carbon Steel
Input Shaft	Carbon Steel
Seals	Nitrile Rubber
Fasteners	Zinc Plated Alloy Steel
Indicator	Stainless Steel
Handwheel DN025-300	Cast Iron
Handwheel DN350-700	Carbon Steel

DN [mm]	25	40	50	65	80	100	125	150	200	250	300	350	400	450	500	600	700
DN [inch]	1"	1½"	2"	2½"	3"	4"	5"	6"	8"	10"	12"	14"	16"	18"	20"	24"	28"
C _g	40	40	40	40	40	40	40	44	50	54	54	60	60	71	71	86	86
Q	91	91	9	91	91	91	91	139	139	156	156	212	212	255	255	255	355
ØR	100	100	100	100	100	100	100	200	200	200	200	300	300	400	400	400	600
S	66	66	66	66	66	66	66	80	92	107	107	115	115	135	135	156	156
T	52	52	52	52	52	52	52	62	63	82	82	84	84	103	103	115	115
U	34	34	34	34	34	34	34	41	41	55	55	55	55	69	69	81	81
V	30	30	30	30	30	30	30	38	38	49	49	48	48	60	60	77	77
kg	1.3	1.3	1.3	1.3	1.3	1.3	1.3	2	2.4	3.9	3.9	4.7	4.7	6.9	6.9	10	10

ACTUATION | PNEUMATIC ACTUATOR



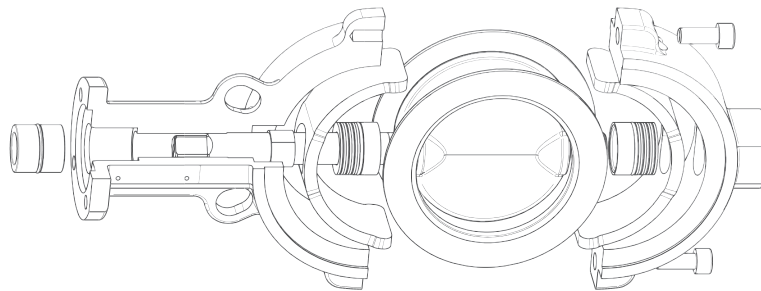
Double-acting pneumatic actuator*						
DN [mm]	DN [inch]	Code	L [mm]	B [mm]	H [mm]	W [kg]
40	1½"	ADA40	158	91	209	2.1
50	2"	ADA80	177	111	267	3
65	2½"	ADA80	177	111	283	3
80	3"	ADA80	177	111	302	3
100	4"	ADA80	177	111	322	3
125	5"	ADA130	196	122	349	3.8
150	6"	ADA200	225	136	382	5.6
200	8"	ADA300	273	153	427	8.5
250	10"	ADA500	304	173	469	11.2
300	12"	ADA500	304	173	507	11.2
350	14"	ADA850	372	192	551	16.9
400	16"	ADA850	372	192	586	16.9
450	18"	ADA850	372	192	621	16.9
500	20"	ADA1200	439	213	684	25.8
600	24"	ADA2100	510	277	823	49.7
700	28"	ADA2100	510	277	895	49.7
750	30"	ADA4000	630	415	1042	129.4
800	32"	ADA4000	630	415	1071	129.4
900	36"	ADA4000	630	415	1118	129.4
1000	40"	ADA4000	630	415	1166	129.4
1050	42"	ADA4000	630	415	1191	129.4

*Control Pressure 6.0 bar

Single-acting pneumatic actuator*						
DN [mm]	DN [inch]	Code	L [mm]	B [mm]	H [mm]	W [kg]
40	1½"	ASR80S14A	217	111	231	3.7
50	2"	ASR130S14A	258	122	277	4.8
65	2½"	ASR130S14A	258	122	293	4.8
80	3"	ASR200S14A	299	136	330	7.3
100	4"	ASR200S14A	299	136	350	7.3
125	5"	ASR300S14A	349	153	384	10.8
150	6"	ASR500S14A	397	173	416	15.4
200	8"	ASR850S14A	473	192	466	22.2
250	10"	ASR1200S14A	560	213	519	34.3
300	12"	ASR1200S14A	560	213	557	34.3
350	14"	ASR1750S14A	601	243	610	46
400	16"	ASR1750S14A	601	243	645	46
450	18"	ASR2100S14A	702	277	713	68
500	20"	ASR2100S14A	702	277	748	68
600	24"	ASR2500S14A	738	356	893	99.9

*Control Pressure 6.0 bar

ORDER CODE



Order Code

Code Example: CSTPPSG100P4WD1

Disc		Liner		Backup		Body		Size	Stem End		Body Type		Flange		Actuation	
Code	Material	Code	Material	Code	Material	Code	Material	[mm]	Code	Shape	Code	Type	Code	Pressure Class	Device	
P	PFA	P	PTFE	S	VMQ (Silicone)	G	5.3103	025-1200	P4	Square Parallel	W	Wafer	D1	PN10	Bare Shaft	
C	PFAc	T	mPTFE	V	FKM (Viton)	S	1.4404		P2	Double D	E	Lug	D2	PN16	Hand Lever	
S	Stainless Steel	C	mPTFEc	E	EPDM	M	1.4404 Polished <0.8µm		D4	Square Diagonal			A1	ANSI150	Gearbox Premium	
J	1.4404/1.4462 Polished <0.8µm	U	UHMPE	F	FKM Steam & FDA Compatible	E	1.4404 e-polished <0.4µm						J1	JIS 10K	Gearbox Standard	
F	1.4462/1.4462 Polished <0.8µm			L	VMQ (Silicone) Low Temperature	N	1.4301								Single-acting Pneumatic Actuator	
G	1.4404/1.4462 e-Polished <0.4µm					C	C-Steel								Double-acting Pneumatic Actuator	
T	Titanium Grade 2					K	Duroplast									
H	Hastelloy C															
R	1.4539 Polished <0.8µm															
O	Hastelloy C Polished <0.8µm															



**PASSION FOR
PERFECT SOLUTION**



Stauverbrink 2
48308 Senden

Tel. +49 (0) 25 36 - 99 58-0
Fax: +49 (0) 25 36 - 99 58-29

sales@warex-valve.com

www.warex-valve.com